

Hot Tapping and Stopple Devices

All Städtler + Beck tapping and stopple devices allow a leaking-free drilling and line stopping of in-use gas and water pipes.

Our devices have the following advantages:

You save a lot of money and space, because you can **drill all nominal diameter of pipes up to an operating pressure of 16 bar with only one tapping device.**

In addition, **the operating costs can be kept as low as possible**, because of our special designed power transmission with spring pre-load. During tapping the drill rod will be forced continuously, shock-free and steadily even at high speeds. This **allows the use of economical hole saws, reduces tool wear, maximizes the tool life and the availability of your tapping device.** In comparison to other equipment **time savings up to 50%** can be achieved.

Due to the spring-biased feed the **drillings can be carried out easily and quickly by hand.**

To make the tapping unit extremely durable, **all parts are delivered from factory with a technical surface treatment with a long-lasting protective coating against corrosion.**



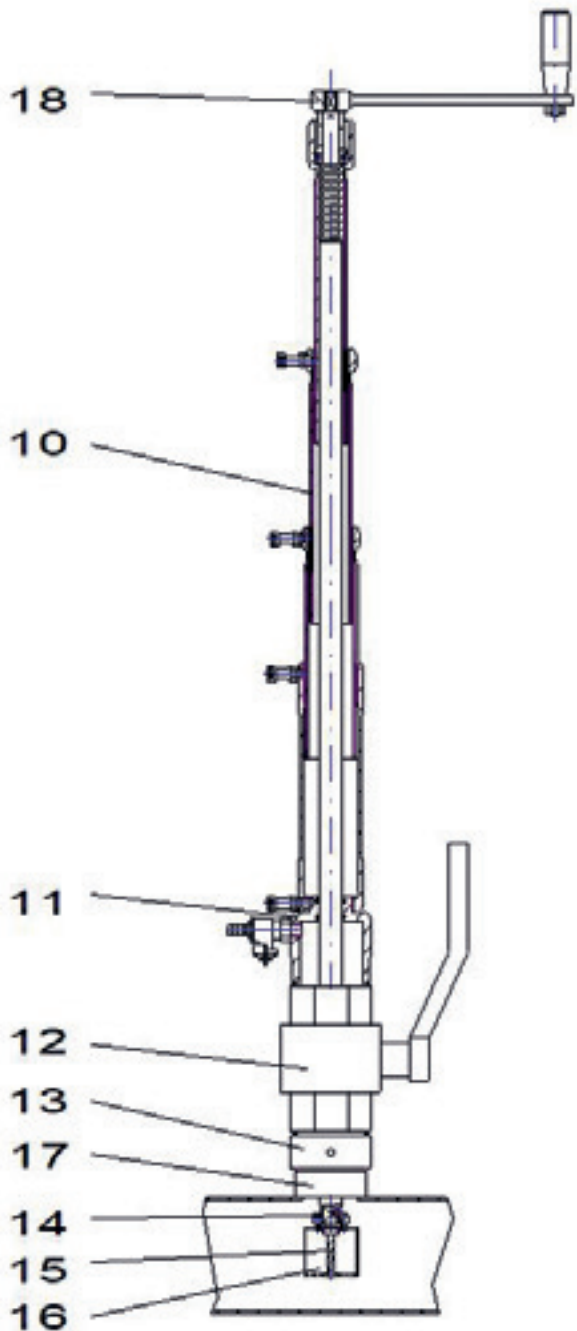
Hot Tapping Device

The tapping tool is suitable for drilling pipes made of metal and plastic with a **bore diameter of 1 to 6 inches**.

In order to achieve satisfactory drilling results there are different drill bits available to choose from.

In-use gas and water pipelines can be tapped up to an operating pressure of **16 bar** without any leakage.

The devices are available in four different sizes with a travel from **130 mm to 700 mm**.



Construction

Pos.	Product	Order no.
10	Tapping device MAXI	20020001
11	Tapping dome	20050018
12	Adapter	00800140
13	Ball valve	00800119
14	Tool carrier	20040006
15	Pilot drill with barb	20040001
16	Bi-metal hole saw	20060005
17	Weld-on socket	00870127
18	Freewheel crank with 13mm square	20040009



Versions

Order no.	Product
20010001	Tapping device MAXI, max. travel 250 mm, 16 bar
02810020	Stopple device, max. travel 480 mm, [U_KAS_Gegendruck]
02810019	Stopple device, max. travel 700 mm, [U_KAS_Gegendruck]
20070002	Tapping device MAXI, max. travel 1000 mm, 16 bar

Delivery

- One drilling or Stopple device with integrated drilling rod
- Two pin punches
- One Allen key

In addition, all devices will be adapted to your application and equipped to your requirements from an extensive range of accessories. We will advise you on the selection and will support you to get your job perfectly done.

TITAN 8plus Hot Tapping and Line Stopping Device

The TITAN 8plus Hot Tapping and Line Stopping device is suitable for fast and safe stopping of gas and water pipelines without interrupting the operation up to an operating pressure of **8 bar**. It does not rely on conventional gas bags, but on a **very robust** rubber stopper.

This is centrally pressed into the tapped pipe, where it provides a **secure seal**.

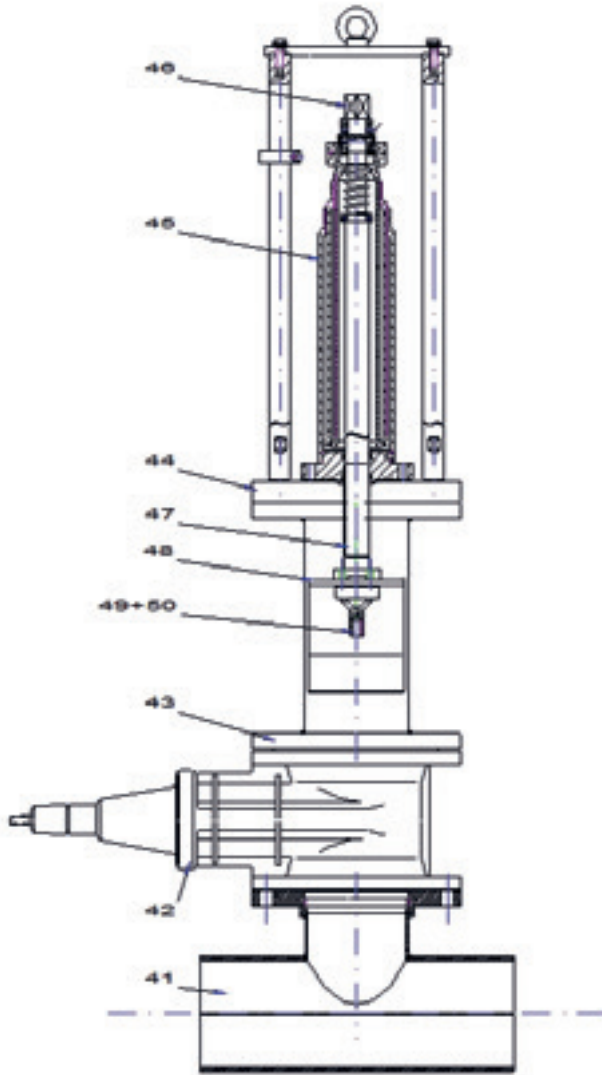
The advantages of the TITAN 8plus Tapping and Line Stopping system are:

- Maximum operational safety and low wear due to the use of a special-Stopple (stop plug) to shut off lines with an operating pressure up to 8 bar
- Low material costs, because only the welded two-piece tees with flange, the screw plug and the blind flange have to remain permanently on the construction site
- Our special designed power transmission allows a shock-free and steadily tapping of the pipeline even at high speeds, thereby the device and tool are equally protected, which results in longer tool life and availability

We are glad to advise you on the use and configuration of your individual device.



Construction



Pos.	Product	Order no.
41	Tee, 2-parts	69000015
42	Gate valve	69000023
43	Combi-lock	09000007
44	Adapter drilling device/combi lock	69000025
45	Tapping device for TITAN 8plus	69000001
46	Pneumatic drive	69000002
47	Tool carrier	09000009
48	HSS bi-metal hole saw	09000020
49	Pilot drill chuck	09000011
50	Pilot drill, HSS	69000029

Versions



Order no.	Product
69000001	Tapping device for TITAN 8plus, max. travel 650 mm, 4 bar, DN 80-300, 3"-12"
09000003	Torque absorber 650 mm
69000275	Tapping device for TITAN 8plus, max. travel 1200 mm, 4 bar, DN 80-300, 3"-12"
69000276	Torque absorber 1200 mm

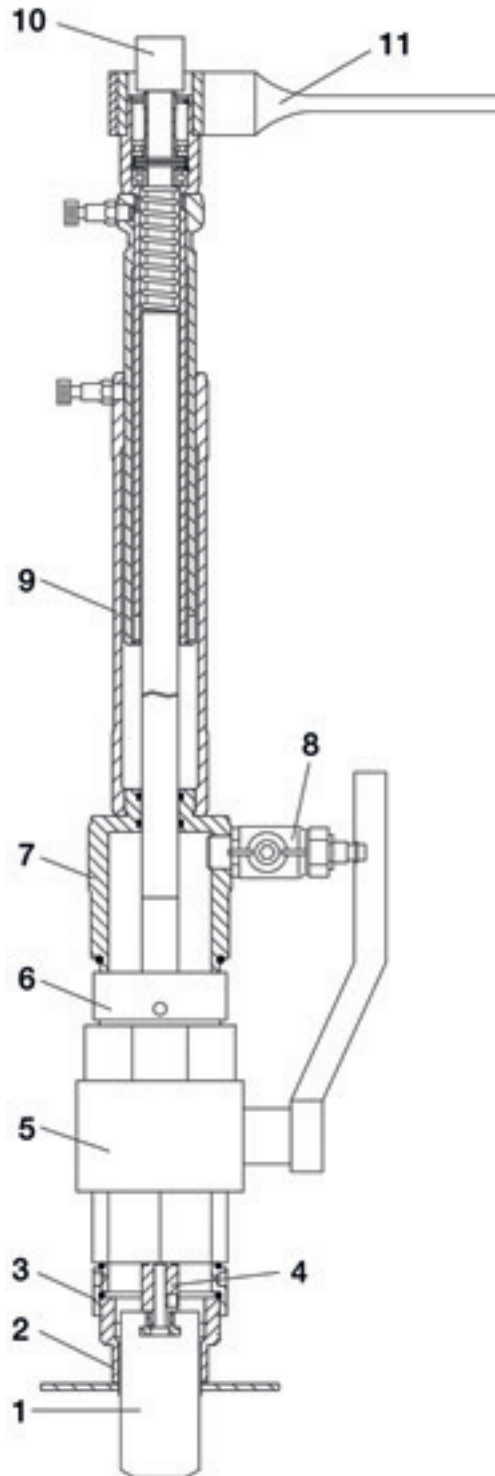
Delivery

The TITAN 8plus includes an entire shutoff system and the delivery will be customized according to your application.

Stopples device – HSE (House- Service line- Stopples Unit)

Our Stopples devices are used for reliable stopping of pipelines with a nominal diameter of 100 mm in gas, water and district heating lines **up to a working pressure of 6 bar**. Optional they can be equipped with an **pre-pressure measurement**. These device are available in various sizes with **travels from 480 and 700 mm**.

For larger pipe diameter please use our line stopping device **TITAN 8plus**.



Construction

Pos.	Product	Order no.
1	Stopples, HSE with pre-pressure measurement	02810013
2	Weld-on socket for HSE	00870007
3, 6	Adapter	00800140
4	Tool carrier	20040008
5	Ball valve	00800119
7	Tapping dome	20050018
8	Ball valve	01000093
9	Stopples device	02810020
10	Cap with direction indicator for pre-pressure measurement	02810016
11	Freewheel ratchet to HSE	02810127



Versions

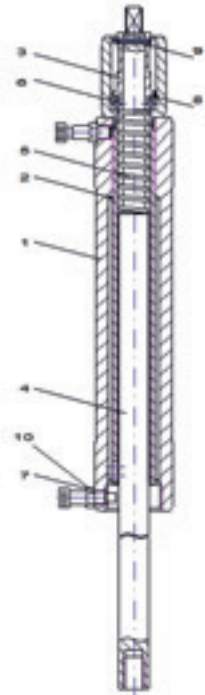
Order no.	Product
02810020	Stopple device, max. travel 480 mm, [U_KAS_Gegendruck]
02810019	Stopple device, max. travel 700 mm, [U_KAS_Gegendruck]
02810316	conversion kit for HSE DN100 DN 100

Delivery

- One drilling or stopple device with integrated drilling rod
- Two pin punches
- One Allen key
- Cap with direction indicator
- Freewheel ratchet

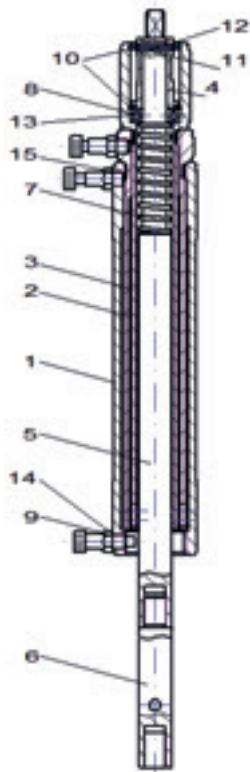
In addition, all devices will be adapted to your application and equipped to your wishes from an extensive range of accessories. We will advise you on the selection and will support you to get your job perfectly done.

Spareparts for Tapping and Stopples devices



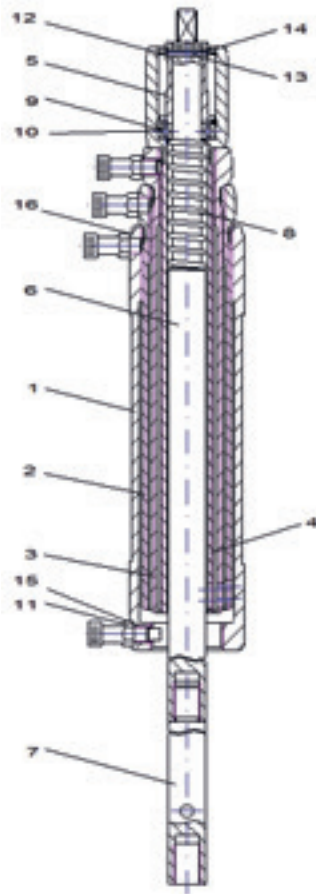
Tapping device type: 2001 (250 mm)

Pos.	Product	Unit	Order no.
	Spindle tube	1 Stück	20040097
	Spindle bolt	1 Stück	02810033
	Spring sleeve	1 Stück	20040089
	Pneumatic drive for S+B drilling device	1 Stück	20040013
	Compression spring	1 Stück	20040092
	Ball-Bearing	1 Stück	20040091
	Index bolt	2 Stück	20040102
	Retaining Ring	1 Stück	10010003
	Spring-type straight pin	1 Stück	20040090
	Washer	1 Stück	20040146



Tapping device MAXI type: 2002 (480 mm)

Pos.	Product	Unit	Order no.
1	Spindle tube	1 Stück	20040098
2	Spindle 2	1 Stück	02810032
3	Spindle bolt	1 Stück	02810033
4	Spring sleeve	1 Stück	02810035
5	Rotating rod	1 Stück	20020013
6	Spindle Extension	1 Stück	20040086
7	Compression spring	1 Stück	20040092
8	Ball-Bearing	1 Stück	20040091
9	Index bolt	3 Stück	20040102
10	Retaining Ring	2 Stück	10010003
11	Spring-type straight pin	1 Stück	20040090
12	Spring-type straight pin \varnothing 3 mm	1 Stück	02810130
13	Axial bearing	1 Stück	02810034
14	Washer	1 Stück	20040146
15	Washer	1 Stück	20040147

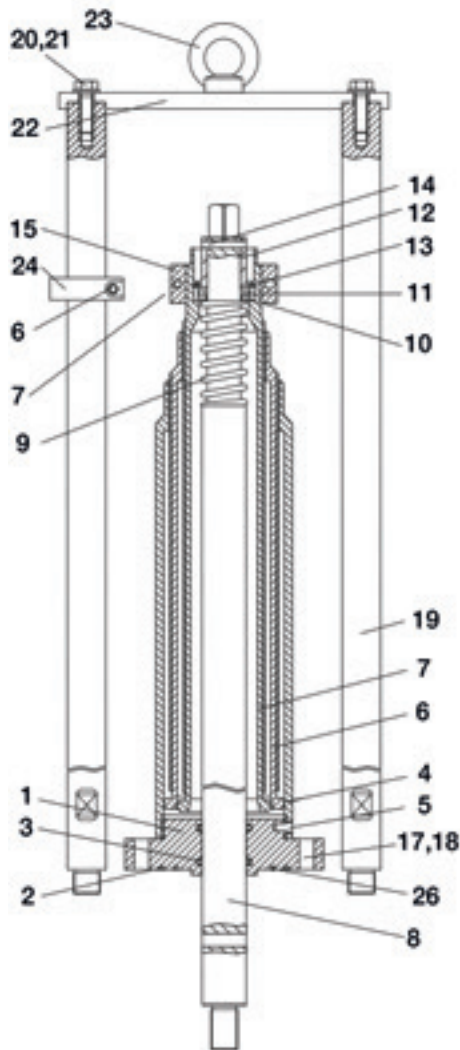


Tapping device MAXI type: 2003 (700 mm)

Pos.	Product	Unit	Order no.
1	Spindle tube	1 Stück	20040140
2	Spindle 1	1 Stück	20040139
3	Spindle 2	1 Stück	02810032
4	Spindle bolt	1 Stück	02810033
5	Spring sleeve	1 Stück	02810035
6	Rotating rod	1 Stück	20020013
7	Drilling rod extension	1 Stück	20040100
8	Compression spring	1 Stück	20040092
9	Ball-Bearing	1 Stück	20040091
10	Axial bearing	1 Stück	02810034
11	Index bolt	4 Stück	20040102
12	Retaining Ring	2 Stück	10010003
13	Spring-type straight pin	1 Stück	20040090
14	Spring-type straight pin \varnothing 3 mm	1 Stück	02810130
15	Washer	1 Stück	20040146
16	Washer	1 Stück	20040147

Tapping device type: 2007 (1000 mm)

Pos.	Product	Unit	Order no.
	Spindle tube	1 Stück	20070004
	Spindle 1	1 Stück	20070005
	Spindle 2	1 Stück	20070006
	Spindle bolt	1 Stück	20070003
	Spring sleeve	1 Stück	02810035
	Rotating rod	1 Stück	20020013
	Drilling rod extension	1 Stück	20040100
	Drilling rod extension	1 Stück	20070007
	Compression spring	1 Stück	20040092
	Ball-Bearing	1 Stück	20040091
	Index bolt	1 Stück	20040102
	Retaining Ring	1 Stück	10010003
	Spring-type straight pin	1 Stück	20040090
	Washer	1 Stück	20040146



Tapping device type: Titan

Pos.	Product	Unit	Order no.
1	Adapter Titan	1 Stück	69000290
2	O-Ring, DVGW \varnothing 110 x 3,5 mm	1 Stück	20010011
3	O-Ring, DVGW \varnothing 40 x 4,5 mm	2 Stück	69000125
4	Spindle tube	1 Stück	69000101
5	Bolt	1 Stück	69000222
6	Spindle	1 Stück	69000102
7	Spindle	1 Stück	69000100
8	Rotating rod	1 Stück	09000004
9	Spring	1 Stück	69000004
11	Axial bearing	1 Stück	69000005
12	Spring sleeve for hot tapping device TITAN 8plus	1 Stück	69000288
14	Locking pin 6 x 40 mm	2 Stück	69000294
15	Clamping ring	1 Stück	69000291
16	Cyl. screw M8 x 25	2 Stück	00800064
17	Washer M12 (A13), galvanized	8 Stück	20010163
18	Hex. screw M12 x 55, galvanized	8 Stück	69000120
26	O-Ring, DVGW, \varnothing 85 x 3,5 mm	1 Stück	20010010
22	Traverse	1 Stück	69000229
19	Guide rod, galvanized	3 Stück	69000230
20	Washer M12 (A13), galvanized	3 Stück	20010163
21	Hex. screw M12 x 40, galvanized	3 Stück	01000652
24	Clamping ring, galvanized	1 Stück	69000231
25	Cyl. screw M8 x 25	1 Stück	00800064

Accessories for Tapping and Stopple devices



Tapping dom

Compatible with all drilling equipment and available in **sizes from 1 to 6 Inches**.

Order no.	Product
20050010	Tapping dome, 1"
20050012	Tapping dome, 1 ¼"
20050014	Tapping dome, 1 ½"
20050016	Tapping dome, 2"
20050018	Tapping dome, 2 ½"
20050020	Tapping dome, 3"
20050022	Tapping dome, 4"
20050024	Tapping dome, 5"
20050026	Tapping dome, 6"



Stopple

Compatible with all Stopple equipment and available in **sizes from 1 to 6 Inches**.

Order no.	Product
02810514	Stopple, HSE, 1"
02810005	Stopple, HSE, 1 ¼"
02810525	Stopple, HSE, 1 ½"
02810007	Stopple, HSE, 2"
02810535	Stopple, HSE, 2 ½"
02810540	Stopple, HSE, 3"
02810314	Special locking stubble 4 barGas seal rubber compound approx. 40°shore:Ø 96, 4"



Stopple with pressure measurement

Compatible with all Stopple equipment and available in **sizes from 1 to 6 Inches**.

Order no.	Product
02810515	Stopple, HSE, with pressure measurement, 1"
02810011	Stopple, HSE, with pressure measurement, 1 ¼"
02810526	Stopple, HSE, with pressure measurement, 1 ½"
02810013	Stopple, HSE with pre-pressure measurement, 2"
02810536	Stopple, HSE, with pressure measurement, 2 ½"
02810541	Stopple, HSE, with pressure measurement, 3"
02810411	Stopple, HSE, with pressure measurement, 4"



Stopple for district heating and oil

Compatible with all Stopple equipment and available in **sizes from 1 to 2 ½ Inches**.

Order no.	Product
02810021	Stopple HSE for district heating, 1"
02810023	Stopple HSE for district heating, 1 ¼"
02810025	Stopple HSE for district heating, 1 ½"
02810027	Stopple HSE for district heating, 2"
02810029	Stopple HSE for district heating, 2 ½"
02810347	Stopple HSE for district heating, 3"
02810348	Stopple HSE for district heating, 4"



O-Ring set for tapping dome (NBR)

NBR (Nitrile-Butadiene-Rubber) has a high resistance to oils, greases and hydrocarbons

Order no.	Product
20040151	O-Ring set for tapping dome, NBR, 1"
20040152	O-Ring set for tapping dome, NBR, 1 ¼"
20040153	O-Ring set for tapping dome, NBR, 1 ½"
20040154	O-Ring set for tapping dome, NBR, 2"
20040155	O-Ring set for tapping dome, NBR, 2 ½"
20040156	O-Ring set for tapping dome, NBR, 3"
20040157	O-Ring set for tapping dome, NBR, 4"
20040158	O-Ring set for tapping dome, NBR, 5"
20040159	O-Ring set for tapping dome, NBR, 6"



O-Ring set for tapping dome (VITON)

made of Viton for higher thermal and chemical resistance

Order no.	Product
20040160	O-ring set for drilling dome, Viton, 1"
20040161	O-ring set for drilling dome, Viton, 1 ¼"
20040162	O-ring set for drilling dome, Viton, 1 ½"
20040163	O-ring set for drilling dome, Viton, 2"
20040164	O-ring set for drilling dome, Viton, 2 ½"
20040165	O-ring set for drilling dome, Viton, 3"
20040166	O-ring set for drilling dome, Viton, 4"
20040167	O-ring set for drilling dome, Viton, 5"
20040168	O-ring set for drilling dome, Viton, 6"

Tool carrier



Order no.	Product
20040008	Tool carrier, 1" - 1 ¼"
20040006	Tool carrier, 1 ½" - 6"

Drilling rod extension



Order no.	Product
20040099	Drilling rod extension 100 mm



Tapping drive

Order no.	Product
20040013	Pneumatic drive for S+B drilling device

Technical specifications	
Operating pressure	6,0 bar
Power	0,7 kW
Air consumption	0,85 m ³ /min
Idlespeed	110 U/min
Speed on max. torque	55 U/min
Max. torque	120 Nm



Maintenance unit

Order no.	Product
30000001	Maintenance unit for pneumatic drive with pressure reducer in a sturdy metal frame



Freewheel crank

Order no.	Product
20040009	Freewheel crank with 13mm square



Freewheel ratchet for HSE

Order no.	Product
02810127	Freewheel ratchet to HSE



Pilot drills

Order no.	Product
20040003	HSS pilot drill
20040001	Pilot drill with barb
20040104	Replacement barbs
20040004	Pilot drill with carbide cutting edges



Bi-metal hole saws

Bi-metal hole saws for steelpipes

Order no.	Product
20060001	Bi-metal hole saw, ø 22
20060056	Bi-metal hole saw, ø 24
20060063	Bi-metal hole saw, ø 25
20060002	Bi-metal hole saw, ø 29
20060057	Bi-metal hole saw, ø 33
20060003	Bi-metal hole saw, ø 38
20060076	Bi-metal hole saw, ø 44
20060004	Bi-metal hole saw, ø 48
20060028	Bi-metal hole saw, ø 51
20060005	Bi-metal hole saw, ø 55
20060045	Bi-metal hole saw, ø 56
20060058	Bi-metal hole saw, ø 65
20060006	Bi-metal hole saw, ø 70
20060065	Bi-metal hole saw, ø 79
20060032	Bi-metal hole saw, ø 89
20060007	Bi-metal hole saw, ø 98
20060008	Bi-metal hole saw, ø 121
20060060	Bi-metal hole saw, ø 127
20060009	Bi-metal hole saw, ø 140



HM hole saws

Hole saws with carbide tipped teeth for steel and castiron pipes

Order no.	Product
20060010	HM hole saw, ø 22
20060066	HM hole saw, ø 24
20060034	HM hole saw, ø 25
20060011	HM hole saw, ø 29
20060012	HM hole saw, ø 38
20060013	HM hole saw, ø 48
20060050	HM hole saw, ø 51
20060014	HM hole saw, ø 54
20060037	HM hole saw, ø 56
20060048	HM hole saw, ø 65
20060015	HM hole saw, ø 70
20060049	HM hole saw, ø 79
20060033	HM hole saw, ø 89
20060016	HM hole saw, ø 98
20060017	HM hole saw, ø 121
20060067	HM hole saw, ø 127
20060018	HM hole saw, ø 140



Hole saws for PE-Pipes

Hole saws for drilling on PE-Pipes

Order no.	Product
20060019	Hole saw for PE-Pipes, ø 22
20060068	Hole saw for PE-Pipes, ø 24
20060020	Hole saw for PE-Pipes, ø 29
20060047	Hole saw for PE-Pipes, ø 32
20060021	Hole saw for PE-Pipes, ø 38
20060022	Hole saw for PE-Pipes, ø 48
20060023	Hole saw for PE-Pipes, ø 55
20060024	Hole saw for PE-Pipes, ø 70
20060046	Hole saw for PE-Pipes, ø 84
20060069	Hole saw for PE-Pipes, ø 89
20060025	Hole saw for PE-Pipes, ø 98
20060026	Hole saw for PE-Pipes, ø 121
20060070	Hole saw for PE-Pipes, ø 127
20060027	Hole saw for PE-Pipes, ø 140

Accessories for TITAN 8plus



Pneumatic drive

Order no.	Product
69000002	Pneumatic drive

Tech. specifications

Operating pressure	6,0 bar
Power	3,7 kW
Air consumption	4 m³/min
Loudness	103,8 db



Combi locks

Order no.	Product
69000369	Kombi-Schleuse, PN 16, DN 80/ 200
69000370	Kombi-Schleuse, PN 16, DN 100/ 200
69000371	Kombi-Schleuse, PN 16, DN 150/ 200
69000270	Kombi-Schleuse, PN 16, DN 200/ 350
69000271	Kombi-Schleuse, PN 16, DN 300/ 350



Adapter drilling device/combi lock

Order no.	Product
69000025	Adapter drilling device/combi lock, DN 200
69000026	Adapter drilling device/combi lock, DN 350



Tool carrier and pilot drills

Order no.	Product
69000372	Zentrierbohreraufnahme, DN 80-150
69000373	Fräseraufnahme, DN 80-150
69000029	Pilot drill, HSS, DN 80-300
69000274	Zentrierbohreraufnahme, DN 200-300
69000321	Fräseraufnahme, DN 200-300



Hole Saws

Order no.	Product
09000013	HSS bi-metal hole saw, ø 80
09000019	HSS bi-metal hole saw, ø 98
09000014	HSS bi-metal hole saw, ø 105
09000020	HSS bi-metal hole saw, ø 148
09000015	HSS bi-metal hole saw, ø 157
09000016	HSS bi-metal hole saw, ø 205
09000017	HSS bi-metal hole saw, ø 258
09000018	HSS bi-metal hole saw, ø 307



Magnet- and Plugging rod

Order no.	Product
09000043	Magnet rod
69000030	Flange for magnet or plugging rod, PN 16, DN 200
69000031	Flange for magnet or plugging rod, PN16, DN 350



Slide valves

Order no.	Product
69000374	Flachschieber, PN 16, DN 80
69000375	Flachschieber, PN 16, DN 100
00800382	Slide valve, PN 16, DN 150
69000023	Gate valve, PN 16, DN 200
69000269	Flachschieber, PN 16, DN 300